

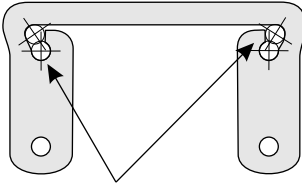
Benny's Smartphone stand version 2

Cutting templates

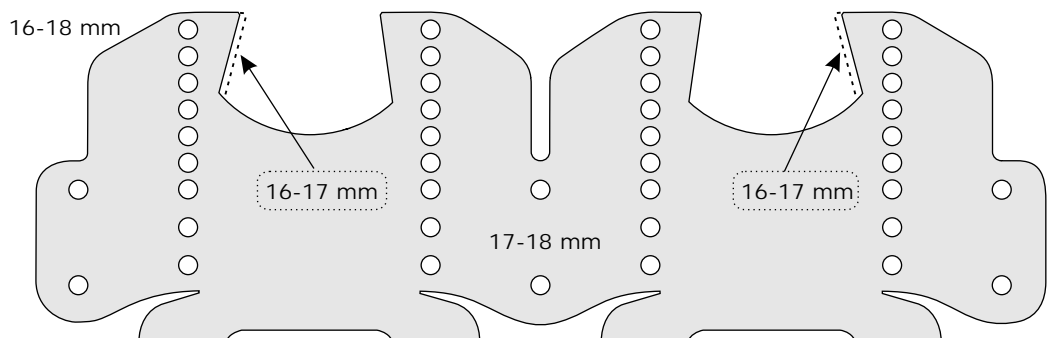
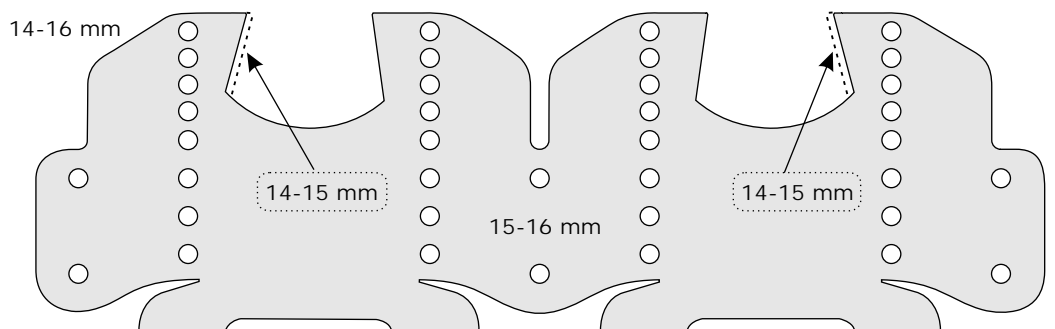
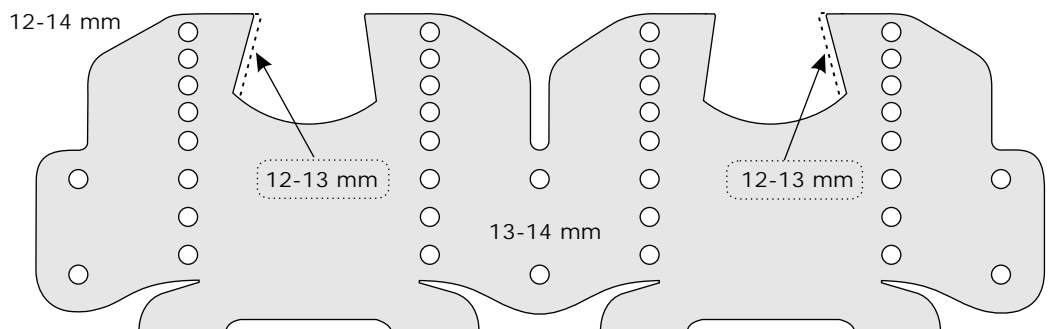
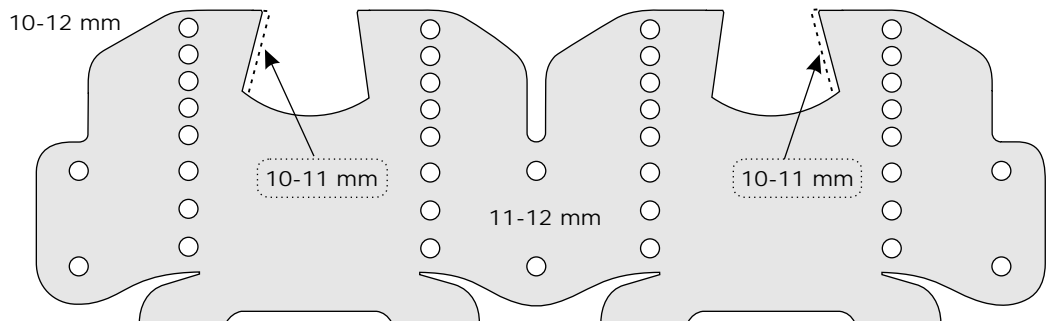
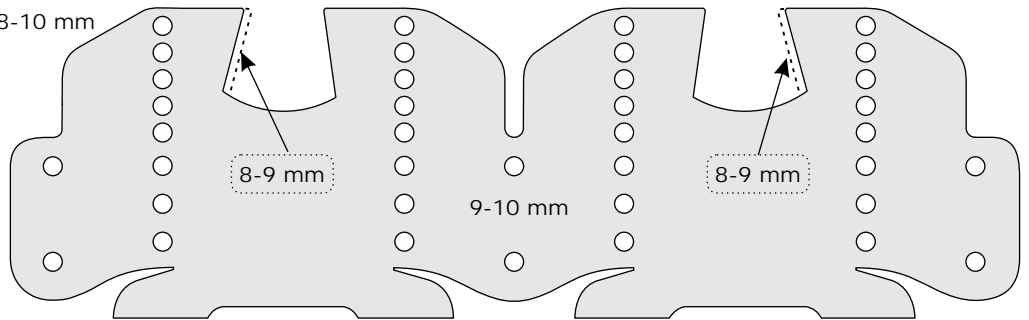
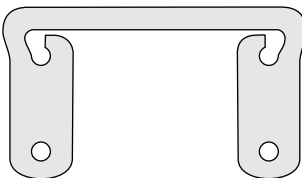
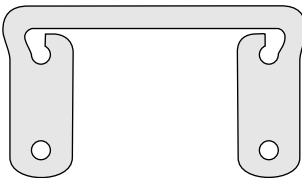
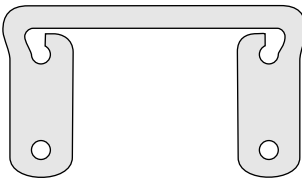
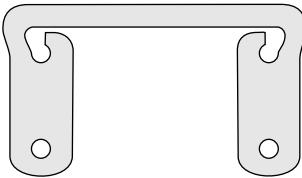
DIY instructions : www.benvelo.com/phone_tripod_2.htm

Phone thickness → 8-10 mm

Use the template size closest to your phone thickness for best function.



Cut out these inside corners with a hole punch or drill (2 or 2,5 mm).



Copyright © Benny Johansson

www.benvelo.com